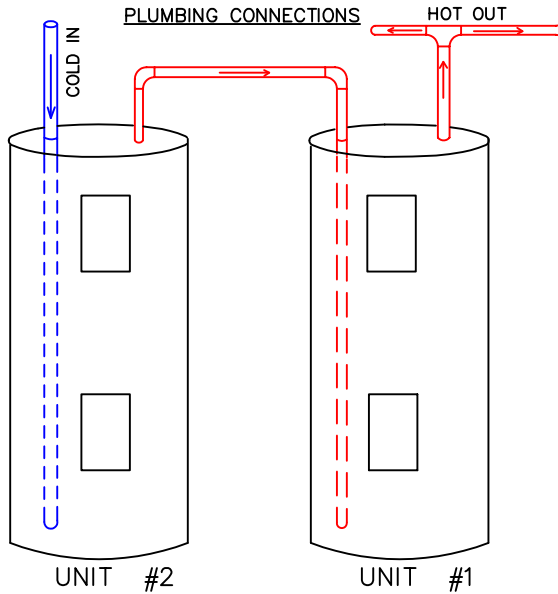


WIRING DIAGRAM FOR VANGUARD WATER HEATERS By RHEEM

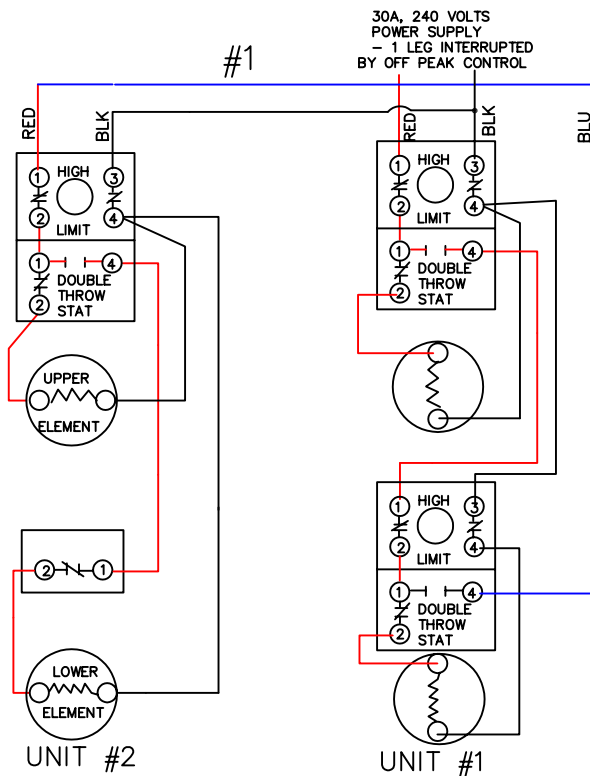
DUAL TANK STORAGE WATER HEATING



Notes:

- 1 Wright - Hennepin C.E.A. is not responsible or liable for any personal injury or property damage in the wiring of, or the operation of this off peak system.
- 2 All wiring must meet N.E.C. (Nation Electrical Code) and be inspected by a state electrical inspector.
- 3 Both electric water heaters must be plumbed in series.
- 4 Water heaters must be wired so the tank feeding the house directly with hot water (unit #1) will be the first tank to heat up.
- 5 The larger of the two water heaters must be unit #1 (directly feeding the house with the hot water).
- 6 Both water heaters must have 4500 watt elements.
- 7 If adding one new water heater to existing, use no. 1 diagram. If two new water heaters are installed, use no. 2 diagram, blue wire on unit #2 has to be capped.

ADDING ONE NEW WATER HEATER TO EXISTING.



ADDING TWO NEW WATER HEATERS TO EXISTING.

