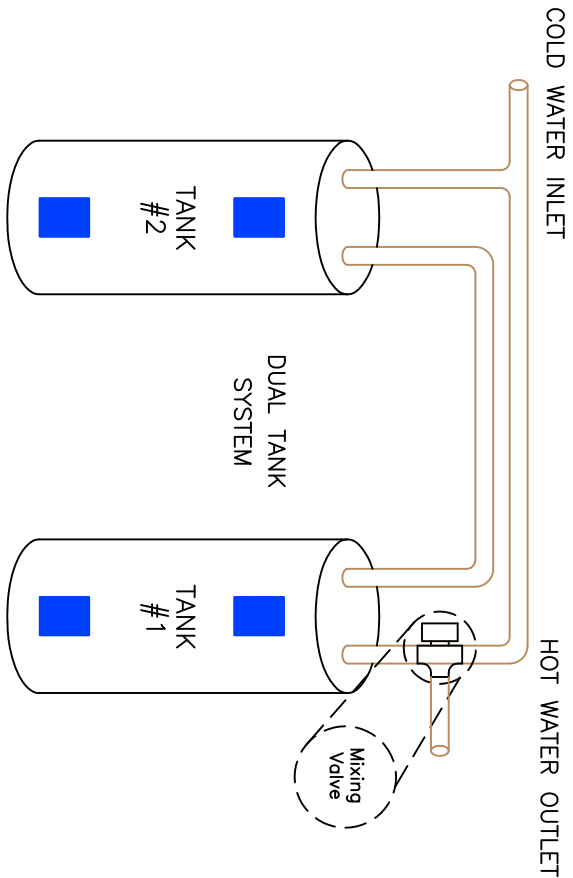
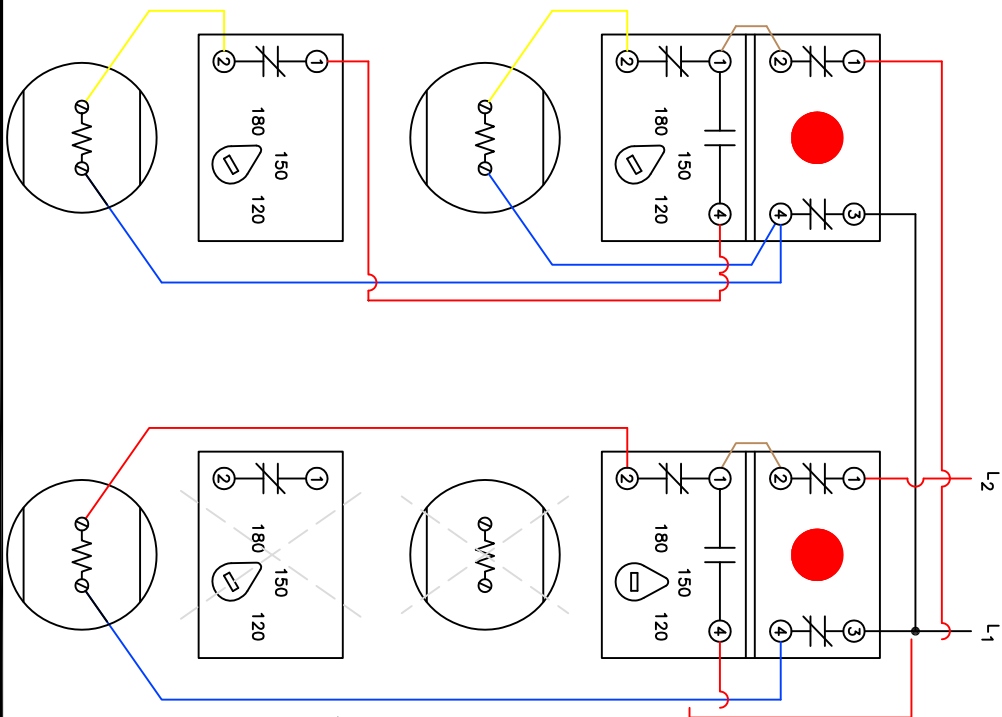


STORED WATER PLUMBING



STORED WATER THERMOSTAT WIRING DUAL TANK SYSTEM TANK # 2 TANK # 1



**WRIGHT-HENNEPIN COOPERATIVE
ELECTRIC ASSOCIATION**

**ENERGY AND SERVICES DEPARTMENT
1-800-943-2667**

STORED WATER DIAGRAM

DATE	5/7/2024	DWG BR:	TLG	DWG NO.	LM15
PROJECT NO.		SCALE	N/A	CHKD BR:	
		APPD BR:		SHEET	1 OF 1