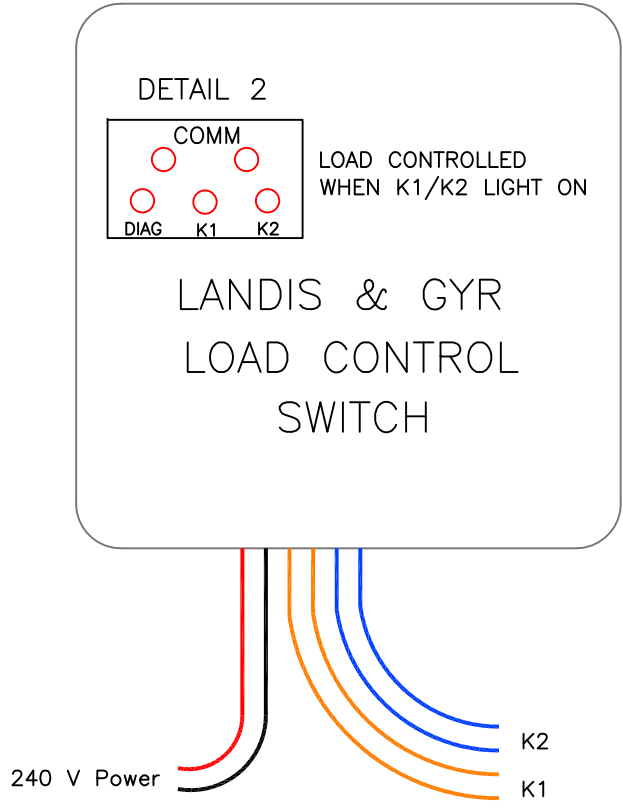


LANDIS & GYR LOAD CONTROL SWITCH  
 MODEL #FASY-0530-0008



1. Wright Hennepin Cooperative Electric Association will not be responsible or liable for any personal injury or property damage in the wiring of or the operation of this or any Energy Savings Program. Wright Hennepin recommends the use of a licensed electrical contractor.
2. All wiring must meet N.E.C. (National Electrical Code) and be inspected by a state electrical inspector before Wright Hennepin will check out installation, credit KWH usage or issue any applicable rebates.
3. Any time power is off & restored to the load control switch, there will be a 15 minute time delay before unit will be allowed to operate.
4. Load control switch/meter socket must be mounted 4' to 6' above the ground outside of all structures with ample access around unit.
5. A red light indicates that a load is being controlled.

K1 WATER STORAGE WHEN THE LIGHT IS ON THE WATER HEATERS ARE TURNED OFF  
 K2 ELECTRIC HEAT AND AIR CONDITIONING WHEN THE LIGHT IS ON THE LOAD IS OFF  
 DIAGNOSTIC LIGHT WILL BLINK

Orange Wires – 30 Amp N.C. dry contact

Blue Wires – 5 Amp N.C. dry contact

Red }  
 Black } 240 V.A.C. POWER

