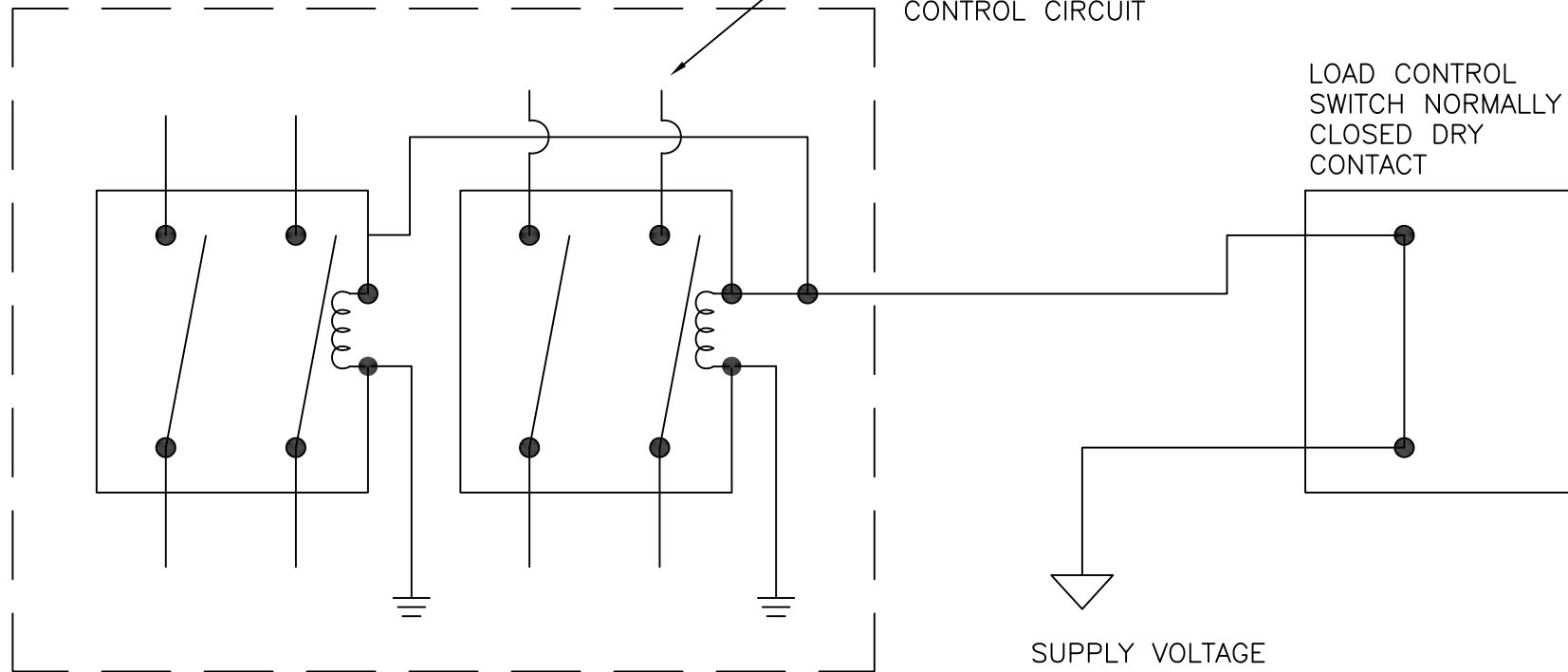


# REMOTE ISOLATION CONTROL RELAY FOR MULTIPLE OFF-PEAK LOADS

CONTACTORS/RELAYS MUST BE SIZED TO SUPPORT LOAD BEING CONTROLLED

TO LOAD DEVICE, ONE LEG OF 240 VAC CIRCUIT OR 24 VAC CONTROL CIRCUIT



LOAD CONTROL SWITCH NORMALLY CLOSED DRY CONTACT

COIL VOLTAGE MAY BE 24 VAC, 120 VAC OR 240 VAC.

RELAYS SHOULD BE PLACED IN TAMPER PROOF BOX FOR WRIGHT HENNEPIN TO SEAL UP.

SUPPLY VOLTAGE  
24 VAC  
120 VAC  
240 VAC

## NOTES;

1. WRIGHT HENNEPIN COOPERATIVE ELECTRIC ASSOCIATION IS NOT RESPONSIBLE OR LIABLE FOR ANY PERSONAL INJURY OR PROPERTY DAMAGE IN THE WIRING OF OR THE OPERATION OF THE ENERGY SAVINGS PROGRAM.
2. LOAD CONTROL SWITCH AND METER SOCKET MUST BE MOUNTED OUTSIDE 4' TO 5' OFF THE GROUND.
3. ISOLATION RELAY IS NEEDED IF CONTROLLING MULTIPLE OFF-PEAK LOADS. EXAMPLES INCLUDE: DF BOILERS, DF PLENUM, AC, ASHP, EV'S, LINE VOLTAGE DF HEAT.



WRIGHT HENNEPIN COOPERATIVE ELECTRIC ASSOCIATION  
Energy and Services Department  
1-800-943-2667

REMOTE ISOLATION CONTROL RELAY | LM20 | 12/21/18 | BY: ERA