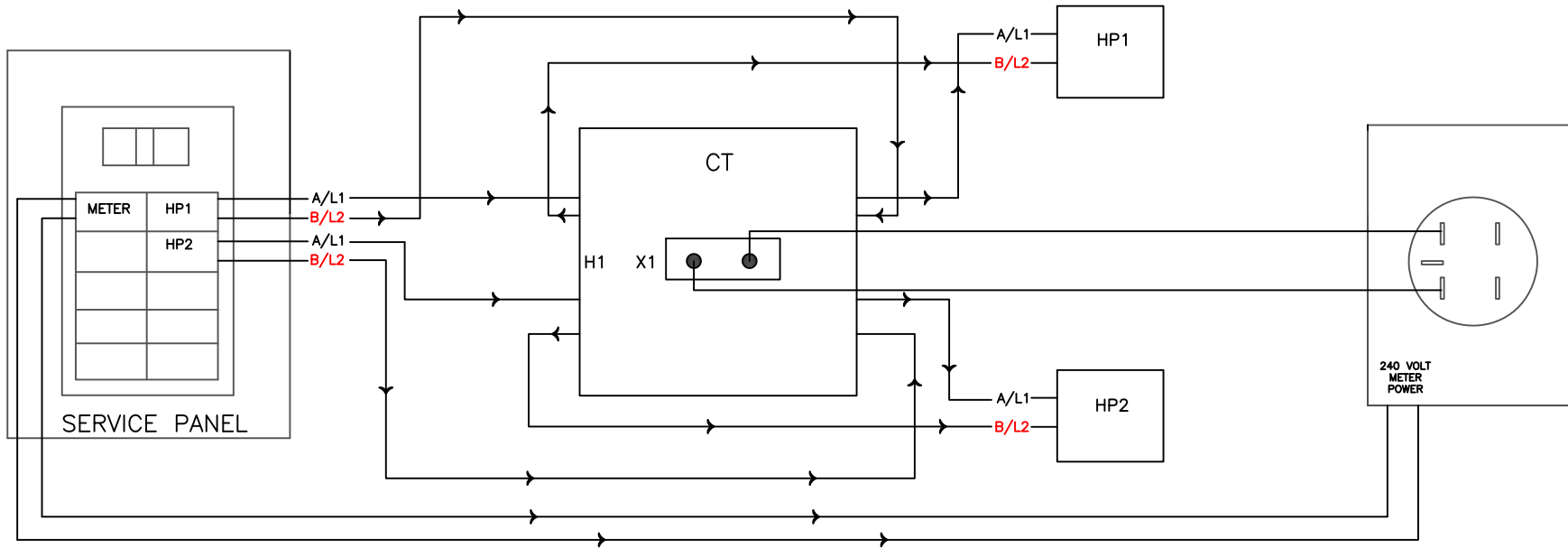


## REMOTE CT WITH MULTIPLE UNCONTROLLED LOAD GEO HEAT PUMPS



1. Wright Hennepin Cooperative Electric Association will not be responsible or liable for any personal injury or property damage in the wiring of or the operation of this or any Energy Savings Program. Wright Hennepin recommends the use of a licensed electrical contractor.
2. All wiring must meet N.E.C. (National Electrical Code) and be inspected by a state electrical inspector before Wright Hennepin will check out installation, credit KWH usage or issue any applicable rebates.
3. Load control switch/meter socket must be mounted 4' to 6' above the ground outside of all structures with ample access around unit.



WRIGHT HENNEPIN COOPERATIVE ELECTRIC ASSOCIATION  
Energy and Services Department  
1-800-943-2667

MULTIPLE UNCONTROLLED  
GEO HEAT PUMPS

LM22

01/02/19

BY: ERA