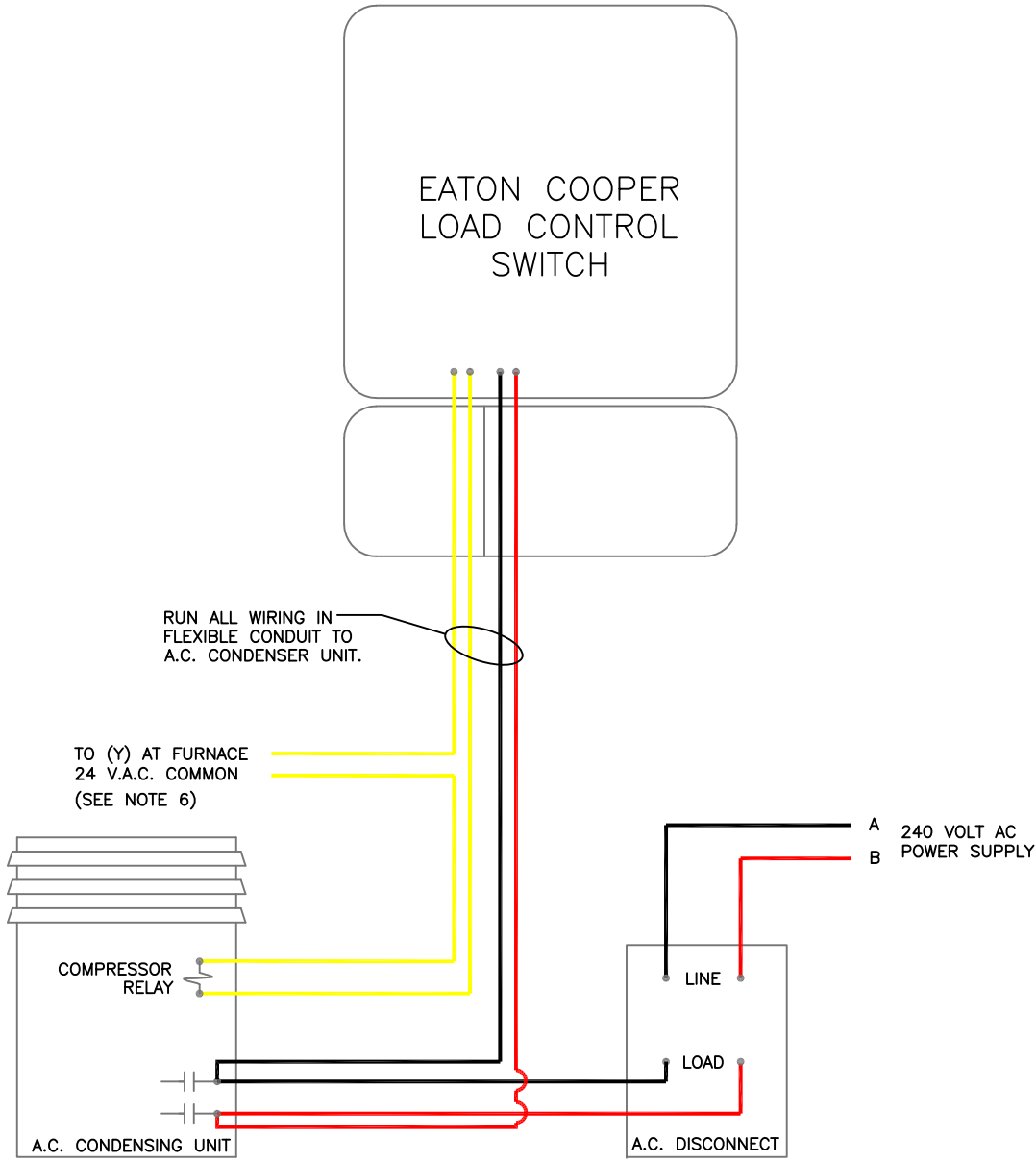


QUICK CASH AIR CONDITIONING OR
 AIR SOURCE HEAT PUMP
 NON-METERED FOR EATON COOPER
 Model # 6200 RFN



1. Wright Hennepin Cooperative Electric Association will not be responsible or liable for any personal injury or property damage in the wiring of or the operation of this or any Energy Savings Program. Wright Hennepin recommends the use of a licensed electrical contractor.
2. All wiring must meet N.E.C. (National Electrical Code) and be inspected by a state electrical inspector before Wright Hennepin will check out installation, credit KWH usage or issue any applicable rebates.
3. The Energy Savings Program control circuitry is to be wired in series with the (Y) circuit to the A.C. unit outside (conventional wiring).
4. Load Control Switch must be mounted outside of home and 4' to 6' above the ground.
5. A red light indicates that a load is being controlled.
6. For control of systems with communicating thermostats, see manufacturers instructions to control outdoor unit and to program thermostat for utility curtailment

ELECTRIC HEAT AND AIR CONDITIONING WHEN THE RED LIGHT IS ON THE LOAD IS OFF
 GREEN LIGHT INDICATES POWER TO SWITCH

Red } 240 V.A.C. POWER
 Black }