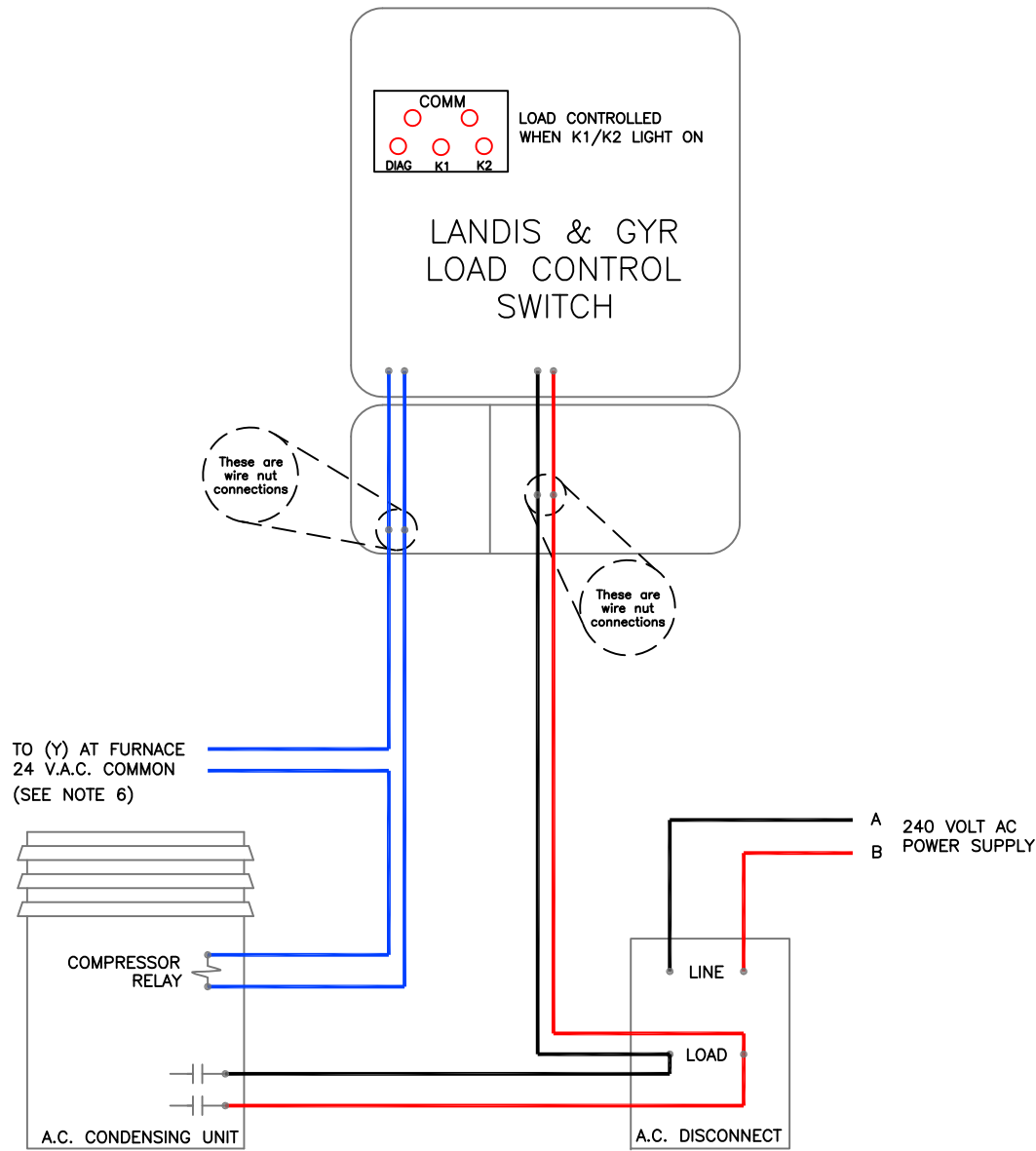


QUICK CASH AIR CONDITIONING/ AIR SOURCE HEAT PUMP FOR LANDIS & GYR

1. Wright Hennepin Cooperative Electric Association will not be responsible or liable for any personal injury or property damage in the wiring of or the operation of this or any Energy Savings Program. Wright Hennepin recommends the use of a licensed electrical contractor.
2. All wiring must meet N.E.C. (National Electrical Code) and be inspected by a state electrical inspector before Wright Hennepin will check out installation, credit KWH usage or issue any applicable rebates.
3. The energy savings control circuitry is to be wired in series with the (Y) circuit to the A.C. unit outside (conventional wiring).
4. Radio receiver must be mounted outside and 4' to 6' above the ground.
5. A red light indicates that a load is being controlled.
6. For control of systems with communicating thermostats, see manufacturers instructions to control outdoor unit and to program thermostat for utility curtailment



- K1 WATER STORAGE WHEN THE LIGHT IS ON THE WATER HEATERS ARE TURNED OFF
- K2 ELECTRIC HEAT AND AIR CONDITIONING WHEN THE LIGHT IS ON THE LOAD IS OFF

DIAGNOSTIC LIGHT WILL BLINK

K1 - Orange Wire

K2 - Blue Wire

Red } 240 V.A.C. POWER
Black }



WRIGHT HENNEPIN COOPERATIVE ELECTRIC ASSOCIATION
Energy and Services Department
1-800-943-2667

QUICK CASH AC/ASHP

LM2C

01/04/19

BY: ERA