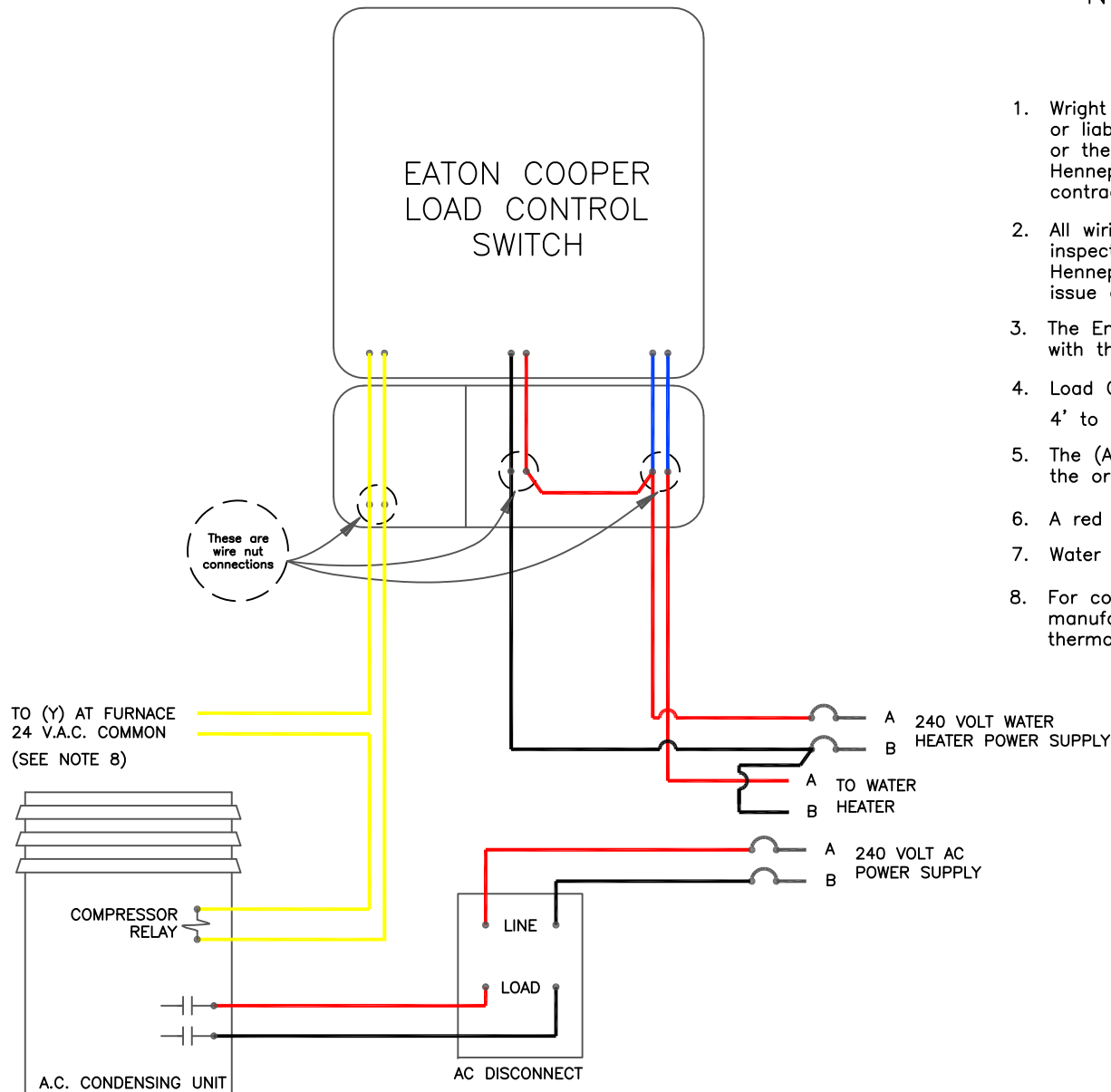


QUICK CASH AIR CONDITIONING OR
ASPH WITH QUICK CASH STORED WATER
NON-METERED FOR EATON COOPER
Model # 6600FRN



1. Wright Hennepin Cooperative Electric Association will not be responsible or liable for any personal injury or property damage in the wiring of or the operation of this or any Energy Savings Program. Wright Hennepin recommends the use of a licensed electrical contractor.
2. All wiring must meet N.E.C. (National Electrical Code) and be inspected by a state electrical inspector before Wright Hennepin will check out installation, credit KWH usage or issue any applicable rebates.
3. The Energy Savings Program control circuitry is to be wired in series with the (Y) circuit to the A.C. unit outside.
4. Load Control Switch must be mounted outside of home and 4' to 6' above the ground.
5. The (A) phase of water heater power is wired in series with the orange wires of the radio receiver.
6. A red light indicates that a load is being controlled.
7. Water heater circuit powers radio receiver.
8. For control of systems with communicating thermostats, see manufacturer instructions to control outdoor unit and program thermostat for utility curtailment.

GREEN LIGHT INDICATES POWER TO SWITCH.

WATER STORAGE WHEN THE RED LIGHT IS ON THE
WATER HEATERS ARE TURNED OFF

ELECTRIC HEAT AND AIR CONDITIONING WHEN THE
RED LIGHT IS ON THE LOAD IS OFF

Red } 240 V.A.C. POWER
Black }