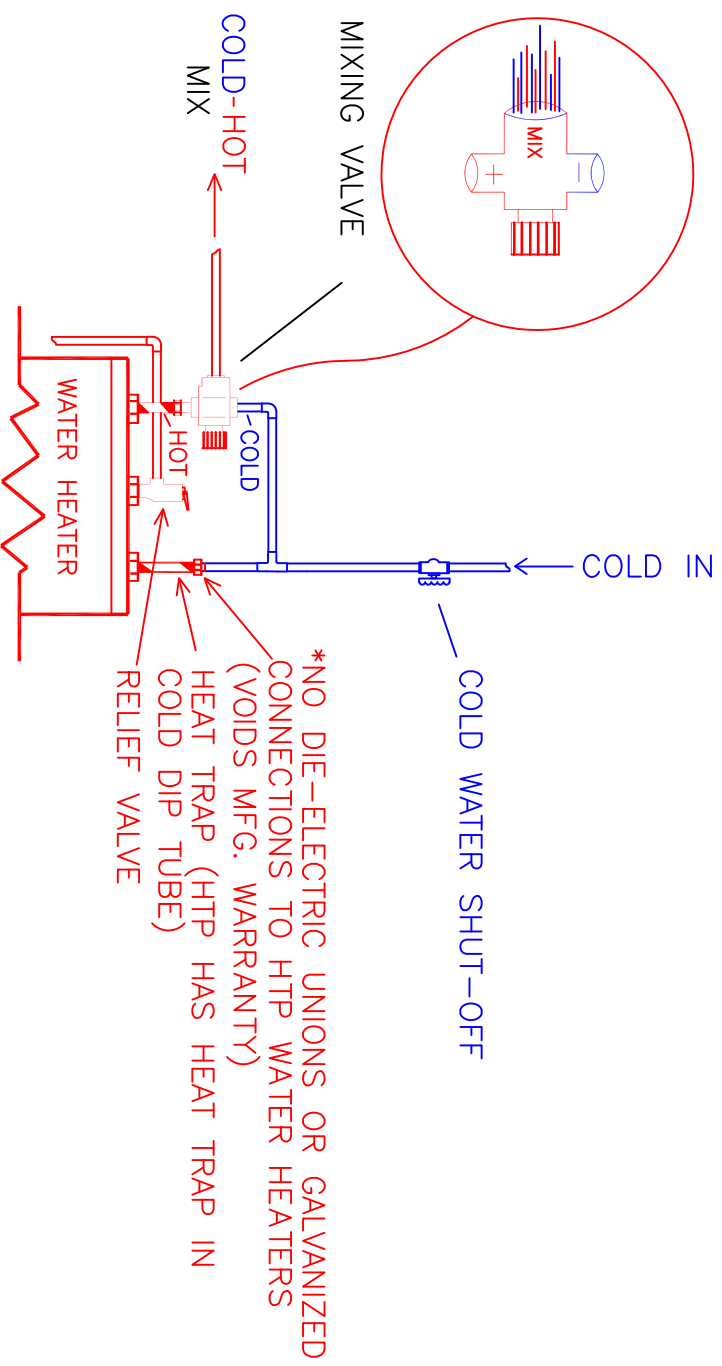



# MIXING VALVE INSTALLATION



 <p><b>Wright-Hennepin</b> Cooperative Electric Association A Touchstone Energy® Cooperative</p>		<p><b>WRIGHT-HENNEPIN COOPERATIVE ELECTRIC ASSOCIATION</b></p>	
<p><b>ENERGY AND SERVICES DEPARTMENT</b> 1-800-943-2667</p>		<p><b>MIXING VALVE INSTALLATION</b></p>	
DATE	4/19/2024	DWG BY:	TLC
PROJECT NO.		DWG NO.	LM8
SCALE	N/A	CHKD BY:	
		APPD BY:	
		SHEET	1 OF 1