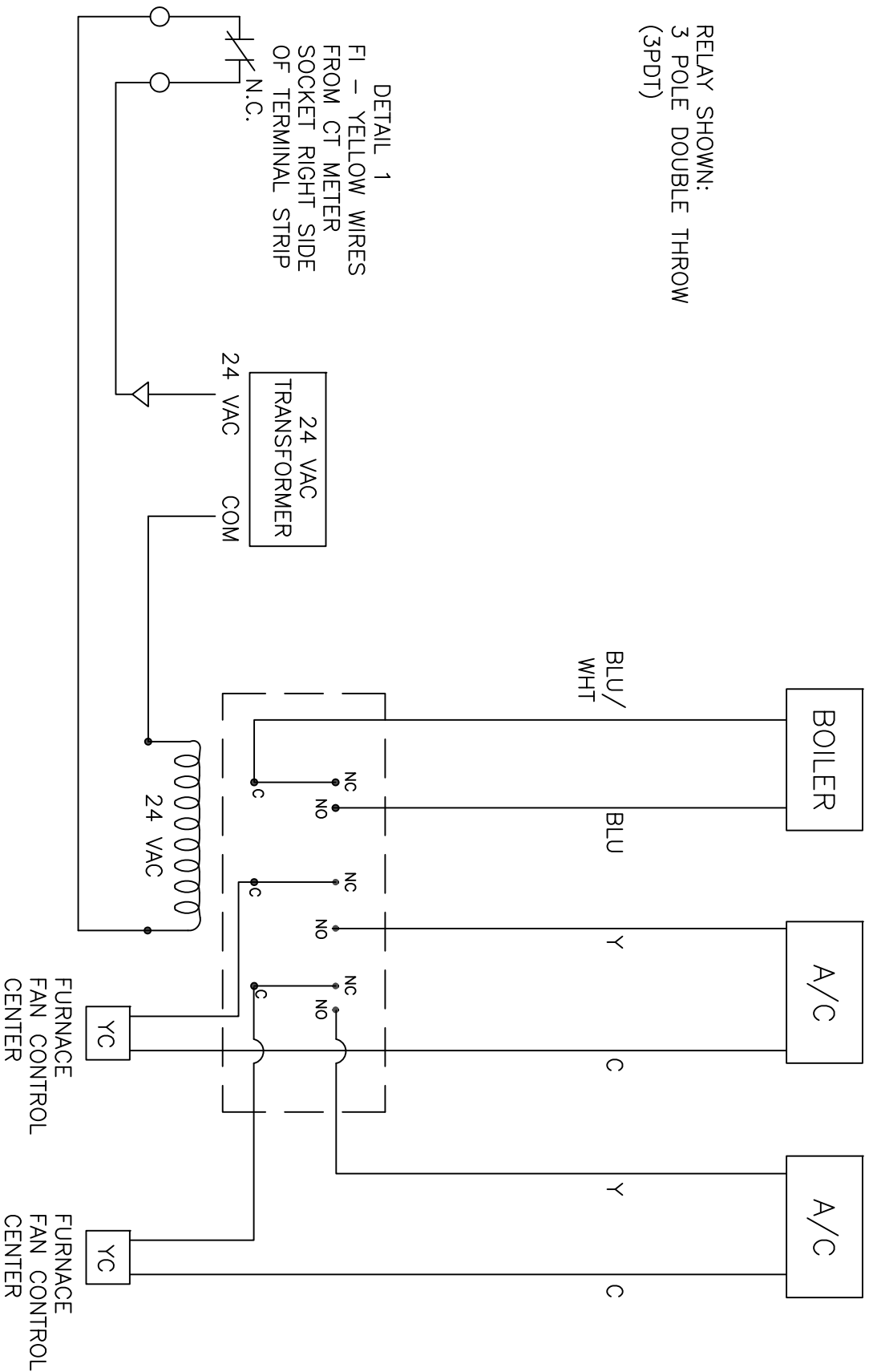



# REMOTE RELAY WIRING DIAGRAM

RELAY SHOWN:  
3 POLE DOUBLE THROW  
(3PDT)



 <p><b>Wright-Hennepin</b> Cooperative Electric Association A Tradezone Energy Cooperative</p>		<p><b>WRIGHT-HENNEPIN COOPERATIVE ELECTRIC ASSOCIATION</b></p> <p>ENERGY AND SERVICES DEPARTMENT 1-800-943-2667</p>	
DATE	4/19/2024	DWG. NO.	TLG
PROJECT NO.		ISSUE NO.	
SCALE	N/A	CHEG. NO.	
		APP. NO.	
		SHEET	1 OF 1
<p>REMOTE RELAY WIRING DIAGRAM</p>			